



Circuit breaker size S00 for motor protection, CLASS 10 A-release
0.22...0.32 A N-release 4.2 A screw terminal Standard switching capacity

| | |
|--|----------------------|
| product brand name | SIRIUS |
| product designation | Circuit breaker |
| design of the product | For motor protection |
| product type designation | 3RV2 |
| General technical data | |
| size of the circuit-breaker | S00 |
| size of contactor can be combined company-specific | S00, S0 |
| product extension auxiliary switch | Yes |
| power loss [W] for rated value of the current | |
| • at AC in hot operating state | 5.5 W |
| • at AC in hot operating state per pole | 1.8 W |
| insulation voltage with degree of pollution 3 at AC rated value | 690 V |
| surge voltage resistance rated value | 6 kV |
| maximum permissible voltage for safe isolation in networks with grounded star point | |
| • between main and auxiliary circuit | 400 V |
| • between main and auxiliary circuit | 400 V |
| shock resistance according to IEC 60068-2-27 | 25g / 11 ms |
| mechanical service life (switching cycles) | |
| • of the main contacts typical | 100 000 |
| • of auxiliary contacts typical | 100 000 |
| electrical endurance (switching cycles) typical | 100 000 |
| type of protection according to ATEX directive 2014/34/EU | Ex II (2) GD |
| certificate of suitability according to ATEX directive 2014/34/EU | DMT 02 ATEX F 001 |
| reference code according to IEC 81346-2 | Q |
| Substance Prohibitance (Date) | 10/01/2009 |
| Ambient conditions | |
| installation altitude at height above sea level maximum | 2 000 m |
| ambient temperature | |
| • during operation | -20 ... +60 °C |
| • during storage | -50 ... +80 °C |
| • during transport | -50 ... +80 °C |
| temperature compensation | -20 ... +60 °C |
| relative humidity during operation | 10 ... 95 % |
| Main circuit | |
| number of poles for main current circuit | 3 |
| adjustable current response value current of the | 0.22 ... 0.32 A |

| | |
|--|--|
| current-dependent overload release | |
| operating voltage | |
| • rated value | 690 V |
| • rated value | 20 ... 690 V |
| • at AC-3 rated value maximum | 690 V |
| operating frequency rated value | 50 ... 60 Hz |
| operational current rated value | 0.32 A |
| operational current | |
| • at AC-3 at 400 V rated value | 0.32 A |
| operating power | |
| • at AC-3 | |
| — at 230 V rated value | 0 kW |
| — at 400 V rated value | 0.1 kW |
| — at 500 V rated value | 0.1 kW |
| — at 690 V rated value | 0.1 kW |
| operating frequency | |
| • at AC-3 maximum | 15 1/h |
| Auxiliary circuit | |
| number of NC contacts for auxiliary contacts | 0 |
| number of NO contacts for auxiliary contacts | 0 |
| number of CO contacts for auxiliary contacts | 0 |
| Protective and monitoring functions | |
| product function | |
| • ground fault detection | No |
| • phase failure detection | Yes |
| trip class | CLASS 10 |
| design of the overload release | thermal |
| breaking capacity operating short-circuit current (Ics) at AC | |
| • at 240 V rated value | 100 kA |
| • at 400 V rated value | 100 kA |
| • at 500 V rated value | 100 kA |
| • at 690 V rated value | 100 kA |
| breaking capacity maximum short-circuit current (Icu) | |
| • at AC at 240 V rated value | 100 kA |
| • at AC at 400 V rated value | 100 kA |
| • at AC at 500 V rated value | 100 kA |
| • at AC at 690 V rated value | 100 kA |
| response value current of instantaneous short-circuit trip unit | 4.2 A |
| UL/CSA ratings | |
| full-load current (FLA) for 3-phase AC motor | |
| • at 480 V rated value | 0.32 A |
| • at 600 V rated value | 0.32 A |
| Short-circuit protection | |
| product function short circuit protection | Yes |
| design of the short-circuit trip | magnetic |
| Installation/ mounting/ dimensions | |
| mounting position | any |
| fastening method | screw and snap-on mounting onto 35 mm standard mounting rail according to DIN EN 60715 |
| height | 97 mm |
| width | 45 mm |
| depth | 97 mm |
| required spacing | |
| • for grounded parts at 400 V | |
| — downwards | 30 mm |
| — upwards | 30 mm |
| — at the side | 9 mm |
| • for live parts at 400 V | |

| | |
|-------------------------------|-------|
| — downwards | 30 mm |
| — upwards | 30 mm |
| — at the side | 9 mm |
| • for grounded parts at 500 V | |
| — downwards | 30 mm |
| — upwards | 30 mm |
| — at the side | 9 mm |
| • for live parts at 500 V | |
| — downwards | 30 mm |
| — upwards | 30 mm |
| — at the side | 9 mm |
| • for grounded parts at 690 V | |
| — downwards | 50 mm |
| — upwards | 50 mm |
| — backwards | 0 mm |
| — at the side | 30 mm |
| — forwards | 0 mm |
| • for live parts at 690 V | |
| — downwards | 50 mm |
| — upwards | 50 mm |
| — backwards | 0 mm |
| — at the side | 30 mm |
| — forwards | 0 mm |

Connections/ Terminals

| | |
|---|---|
| product component removable terminal for auxiliary and control circuit | No |
| type of electrical connection | |
| • for main current circuit | screw-type terminals |
| arrangement of electrical connectors for main current circuit | Top and bottom |
| type of connectable conductor cross-sections | |
| • for main contacts | |
| — solid or stranded | 2x (0,75 ... 2,5 mm ²), 2x 4 mm ² |
| — finely stranded with core end processing | 2x (0.5 ... 1.5 mm ²), 2x (0.75 ... 2.5 mm ²) |
| • at AWG cables for main contacts | 2x (18 ... 14), 2x 12 |
| tightening torque | |
| • for main contacts with screw-type terminals | 0.8 ... 1.2 N·m |
| design of screwdriver shaft | Diameter 5 to 6 mm |
| size of the screwdriver tip | Pozidriv size 2 |
| design of the thread of the connection screw | |
| • for main contacts | M3 |

Safety related data

| | |
|--|--|
| B10 value | |
| • with high demand rate according to SN 31920 | 5 000 |
| proportion of dangerous failures | |
| • with low demand rate according to SN 31920 | 50 % |
| • with high demand rate according to SN 31920 | 50 % |
| failure rate [FIT] | |
| • with low demand rate according to SN 31920 | 50 FIT |
| protection class IP on the front according to IEC 60529 | IP20 |
| touch protection on the front according to IEC 60529 | finger-safe, for vertical contact from the front |
| display version for switching status | Handle |

Certificates/ approvals

General Product Approval






[Confirmation](#)





[KC](#)



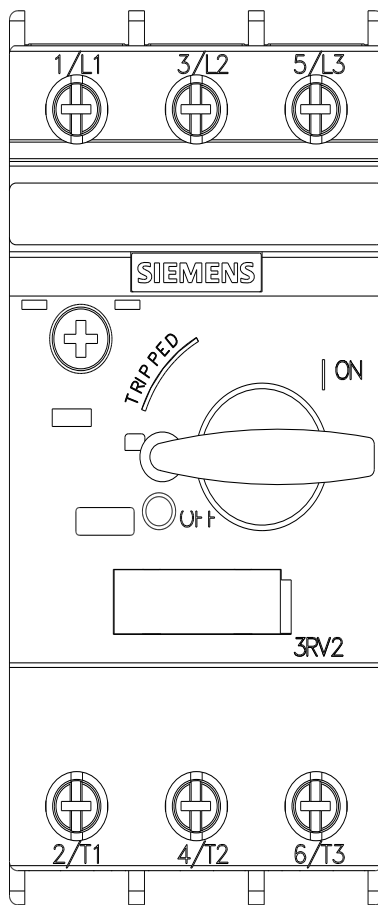
| For use in hazardous locations | | Declaration of Conformity | | Test Certificates | |
|---|---|--|---|--|--|
|  |  | UK Declaration of Conformity |  | Type Test Certificates/Test Report | Special Test Certificate |

| Marine / Shipping | | | | | |
|---|---|---|---|---|---|
|  |  |  |  |  |  |

| Marine / Shipping | other | Railway | |
|---|------------------------------|---|------------------------------|
|  | Confirmation |  | Confirmation |

Further information

- Information- and Downloadcenter (Catalogs, Brochures,...)
<https://www.siemens.com/ic10>
- Industry Mall (Online ordering system)
<https://mall.industry.siemens.com/mall/en/en/Catalog/product?mlfb=3RV2011-0DA10>
- Cax online generator
<http://support.automation.siemens.com/WW/CAXorder/default.aspx?lang=en&mlfb=3RV2011-0DA10>
- Service&Support (Manuals, Certificates, Characteristics, FAQs,...)
<https://support.industry.siemens.com/cs/ww/en/ps/3RV2011-0DA10>
- Image database (product images, 2D dimension drawings, 3D models, device circuit diagrams, EPLAN macros, ...)
http://www.automation.siemens.com/bilddb/cax_de.aspx?mlfb=3RV2011-0DA10&lang=en
- Characteristic: Tripping characteristics, I²t, Let-through current
<https://support.industry.siemens.com/cs/ww/en/ps/3RV2011-0DA10/char>
- Further characteristics (e.g. electrical endurance, switching frequency)
<http://www.automation.siemens.com/bilddb/index.aspx?view=Search&mlfb=3RV2011-0DA10&objecttype=14&gridview=view1>





last modified:

1/27/2022 